

MAC•N•HOM

MARINE EQUIPMENTS (P) LTD.

Let's make sailing safer

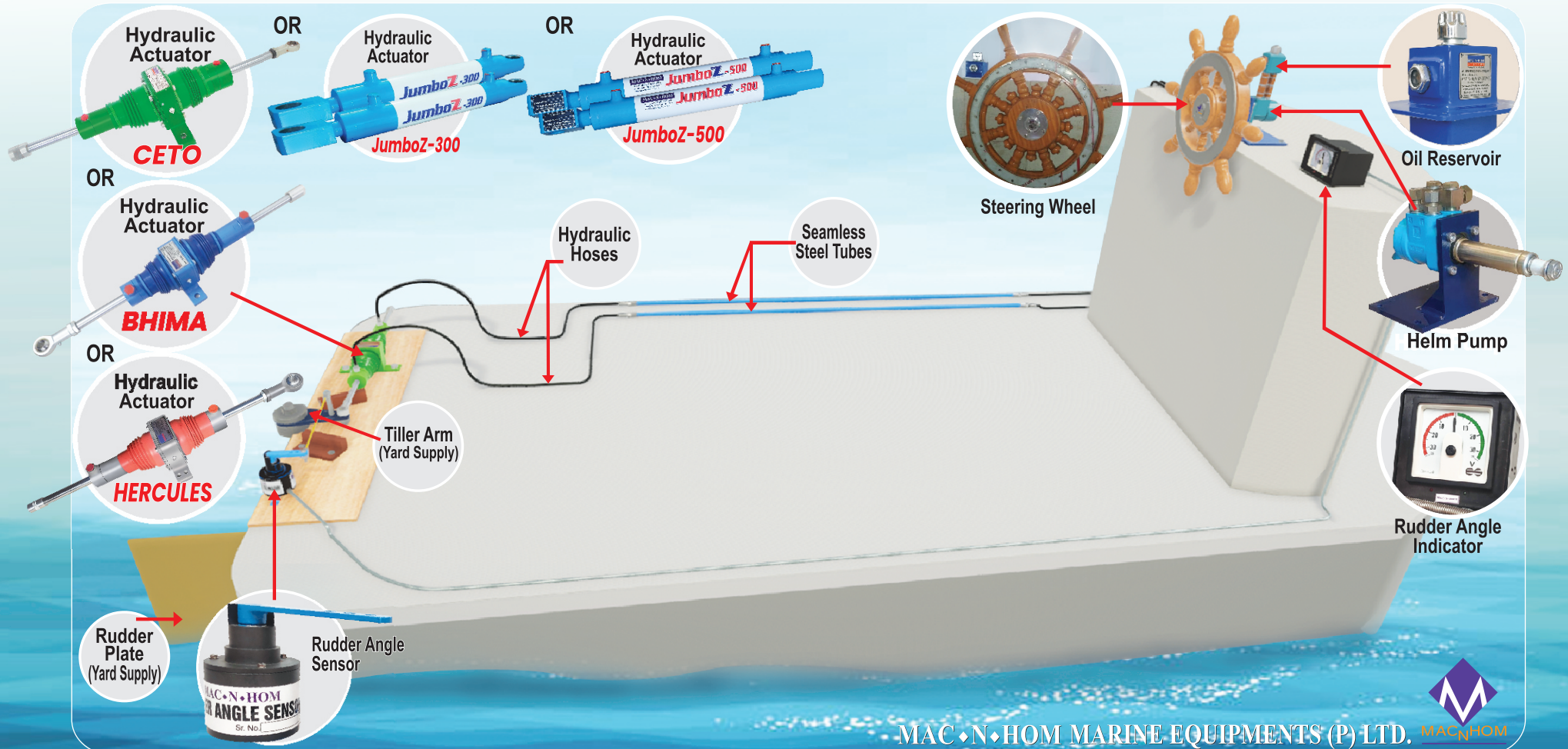
E-mail: info@macnhomsystems.com
www.macnhomsystems.com

Let's make sailing safer

At Mac N Hom Marine Equipments (P) Ltd., we are focused on range of products that meet the ever increasing demands of Marine based customers in terms of sophistication and diversification. We have brought to market innovative products, one after another to provide only the highest quality goods and services for your requirements and offer customised solutions and challenging applications quickly and cost effectively.



Mac-N-Hom make MANUAL-HYDRAULIC STEERING SYSTEM



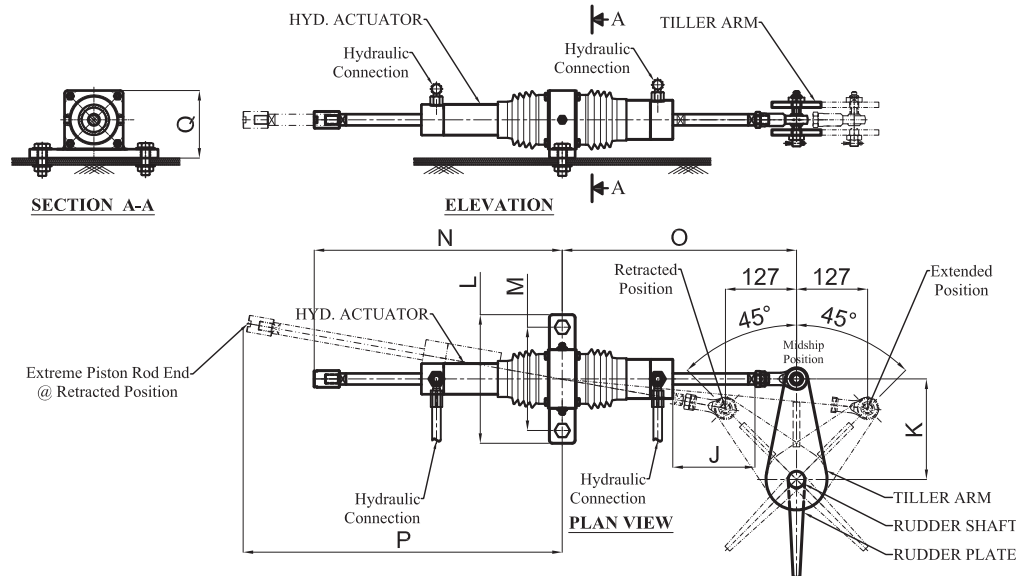
MAC•N•HOM MARINE EQUIPMENTS (P) LTD. 

Mac-N-Hom make MANUAL-HYDRAULIC STEERING SYSTEM

SPECIFICATIONS

MODEL	RAM DIA.	STROKE	FORCE@ 45Kg/cm ²
CETO	20	260 MM	423.9 Kgf
BHIMA	25	260 MM	661.95 Kgf
HERCULES	40	260 MM	930 Kgf

MOUNTING ARRANGEMENT OF HYD. ACTUATOR



MOUNTING DIMENSIONS

MODEL	J	K	L	M	N	O	P	Q
CETO	147 MM	180 MM	230 MM	185 MM	444 MM	420 MM	571 MM	121 MM
BHIMA	147 MM	180 MM	235 MM	190 MM	482 MM	449 MM	604 MM	143 MM
HERCULES	160 MM	220 MM	260 MM	210 MM	498 MM	493 MM	623 MM	208 MM

DATA FOR STEERING SELECTION

VESSEL DETAILS

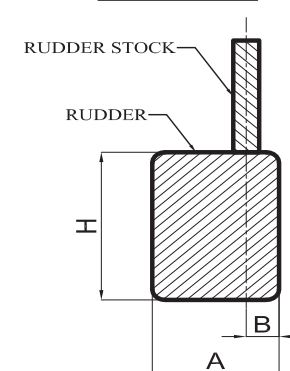
Length of the Vessel		Meters
Breadth of Vessel		Meters
Draft of the Vessel		Meters
Hull form (Mono / Catamaran)		
No of Engines		Nos.
Power of each Engine		HP
Speed of Vessel		Knots

RUDDER DETAILS (See Rudder Dwg.)

Breadth of Rudder A		Meters
Breadth of Semi-balanced Area B		Meters
Height of Rudder H		Meters
Number of Rudders		Nos.

Vessel Regn. Class - No Class / IRS / RINA / DNV / BV

RUDDER DWG.



- NOTES: 1. Please fill in this data sheet with your Vessel data, and email to info@macnhomsystems.com or whatsapp to +91 90729 00576.
 2. All dimensions are in mm.
 3. Dimensions are reference purpose only; kindly confirm with our Technical Department.

Photos are representations only. Products are under continuous improvement. Specifications and details may change without notice.

MAC•N•HOM MARINE EQUIPMENTS (P) LTD.

57/187-C, 'VRINDAVAN', Chilavannur Road, Kadavanthra, Kochi-682 020, Kerala, India

Mob.: + 91 9072900576, +91 484 2312396, 2319998, E-mail: info@macnhomsystems.com web site: www.macnhomsystems.com

CIN: U29308KL2018PTC055182

